

ModuleX

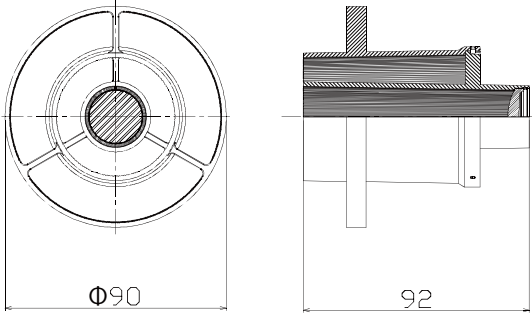
MX150 Sharpener SA-4SH01

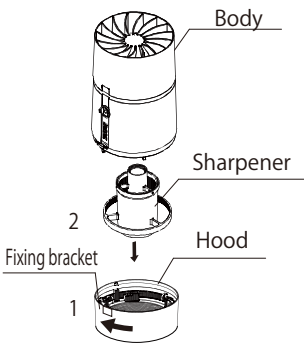
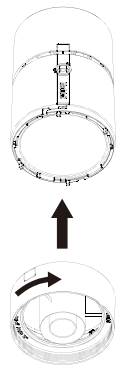
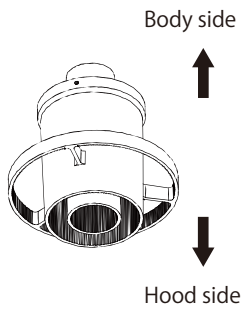

Discontinued product

Installation Guide

To install ModuleX safety

- ⚠ Read the instructions carefully before installation and commissioning! If you have found a defect of or have any questions product, please stop the construction. Please contact your dealer.
- Leave the instructions for users/customers for future reference!

	Weight	Mountable models
	120g	SX-300BP/N SX-310BP/N SX-B2655H/N SL-B2655H/N
<u>For narrow light distribution model only!</u>		

Installation Details		Installation Diagram	Caution	
1	Turn the hood.		⚠	⚠ ^a
2	Put a sharpener in hood and put it back.			
⚠	The filter sandwiches it between hood and the fixture and is put on. A filter, please be careful not to drop on the occasion of desorption of hood.			
⚠ ^a	Please note the mounting direction			

⚠ Caution

- Before carrying out maintenance and installation on the luminaire, disconnect from the mains supply.
- It can not be used for non-mountable models.
- There is a risk of injury at the edge part of the product. Please enough attention to handling.
- Please be securely attached. Failure to observe this may cause the part of the luminaire to fall.
- Please do not disassemble or modify the product.

(Contact)

Concord Lighting

5/F, Longbow House, 14-20 Chiswell Street, London, EC1Y 4TW, UK
Tel : +44-01273-616649

(Manufacturer)

ModuleX Inc.

#21 AraiBldg, 1-20-6 Ebisu-Minami Shibuya-ku, Tokyo
Tel : +81-3-5768-3131